



Website

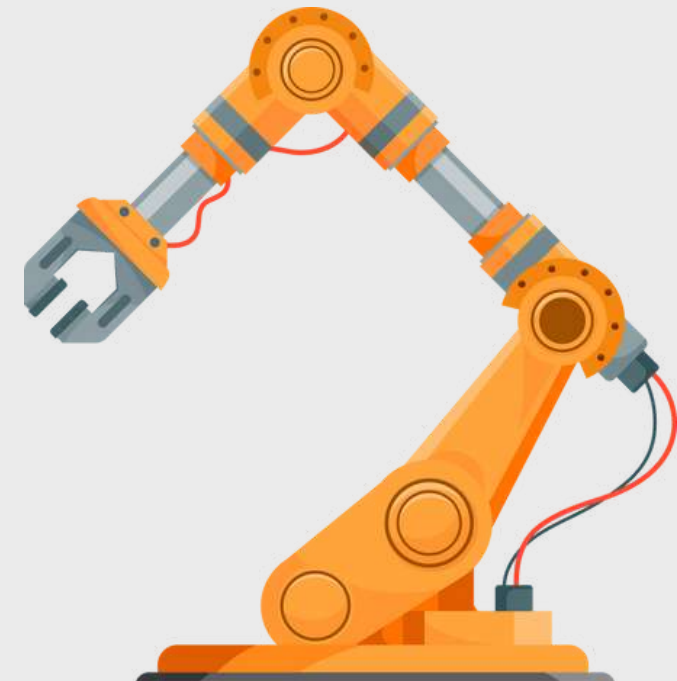


AL-FALFL
MACHINES & AUTOMATION'S



AL FALFL Profile

Name	AL FALFL Industrial automation
Address	Unit #2, Al Thawn, Al Khobar-34632, KSA
Tele fax	+966509843117, +966544023605
Mail ID	asugpy@falfl.com office@falfl.com
URL	www.falfl.com



About us:

AL FALFL, We are leading Dealers, distributor and solution providers in the field of industrial automation since 2015.

What we do: We offer a wide range of products and services across Saudi Arabia, Bahrain, including cutting-edge technology, equipment, and accessories. Our team is made up of highly skilled professionals who are committed to providing the best possible solutions for our clients. What we Offer: Stockiest in Toggle Clamps, Power Clamps, Clamping & Braking Elements, Linear Actuators, End effectors, Bag Grippers, Rotary Indexers, Conveyors Solution Linear Motion Components, Power Transmission Components and

Robot Accessories.

Why us:

We are authorized distributors and experienced solution providers for your automation needs, we offer expert design services and industry-leading products to ensure your success.

Products we Serve:

DESTACO

- Grippers
- Toggle Clamps

OMIL:

- Precision Grippers.

Linear Products:

- Ball Screw system.
- LM Guides & Bushes.
- LM Rails & Blocks.
- Rack & Pinion.

Couplings & Bushes:

- Self Lubricating Bushes.
- Electric Actuators.
- Keyless Locking Elements.
- Jaw & Disc Couplings.





DESTACO is the industry's leading global supplier of high performance automation, work holding and containment solutions.

Focusing all its talent and resources on helping manufacturers improve precision and productivity.

Product lines are,

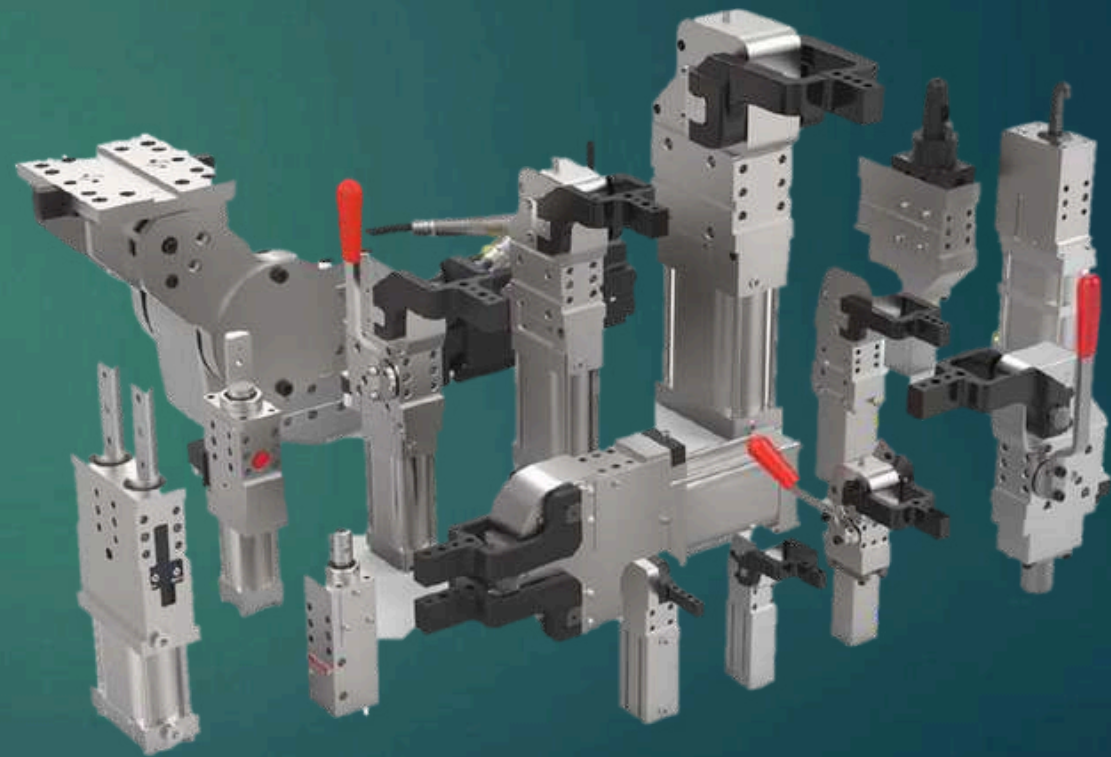
- Toggle Clamps (Manual, Pneumatic, Power Clamps).
- End effectors (Vacuum Products, Round Tooling , Lightweight Tooling).
- Pneumatic Grippers (2 Jaw & 3 Jaw).
- Precision Indexers.
- Manual and Power clamps.
- Conveyor Solution.



Manual Toggle Clamps

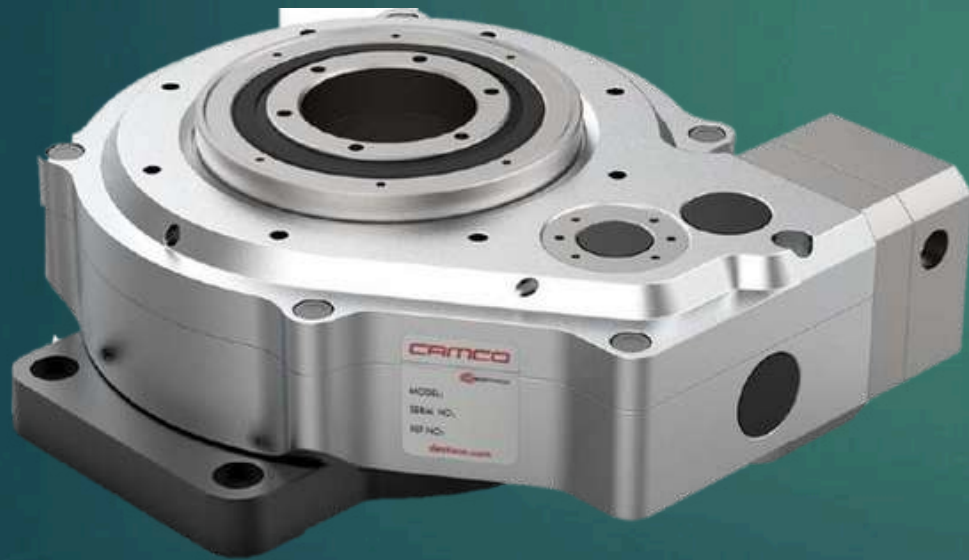


Pneumatic Toggle Clamps

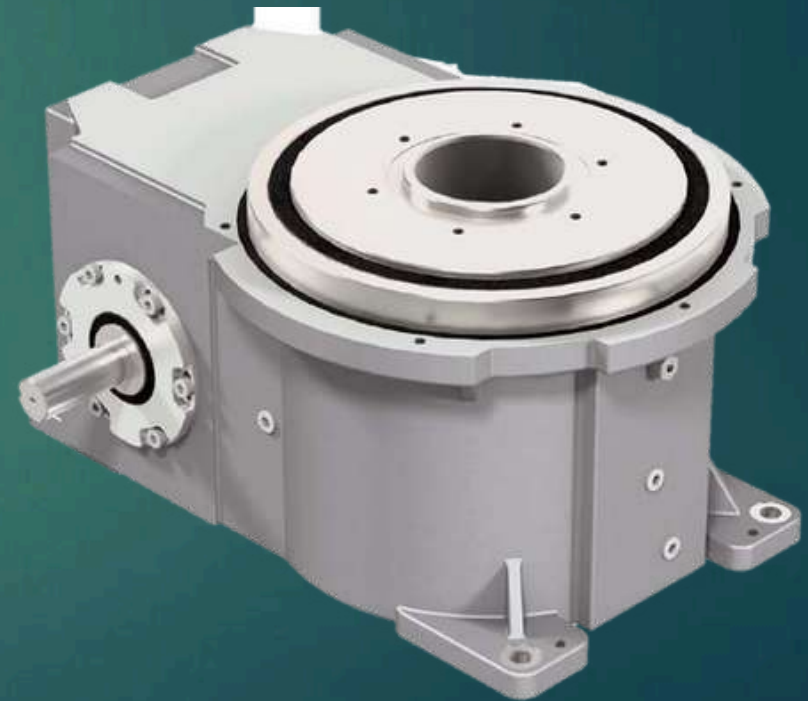




CAMCO Servo Positioners

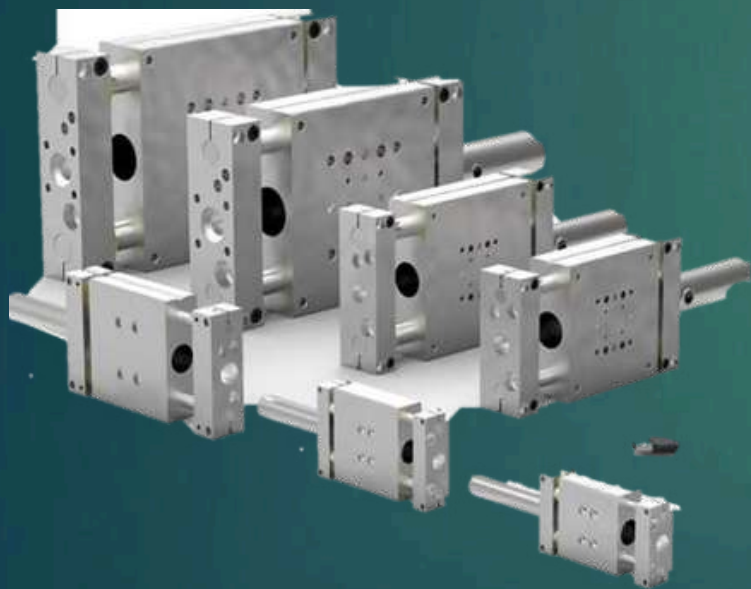


Mechanical Rotary Indexers





Positioning Slides



Thruster Slides

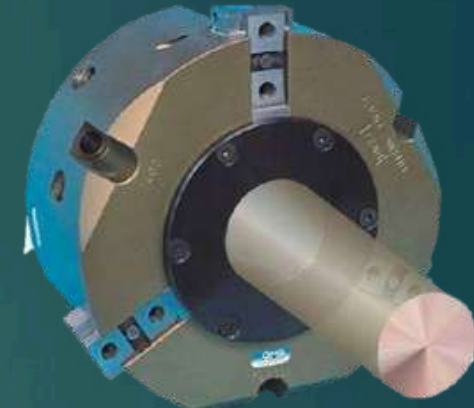
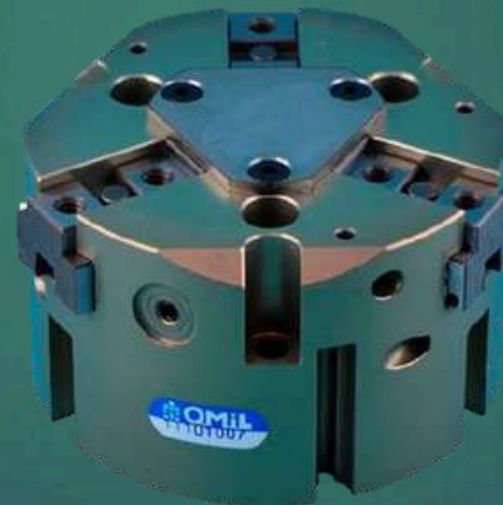


Ball Rail Slides DLM



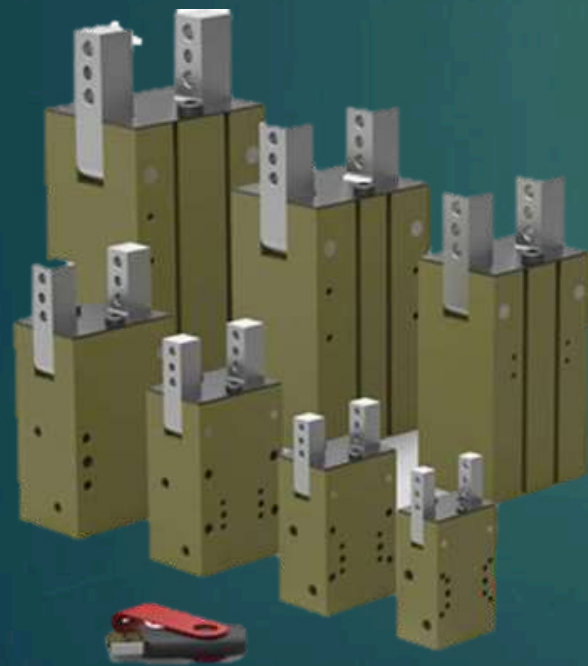


3 Jaw Grippers

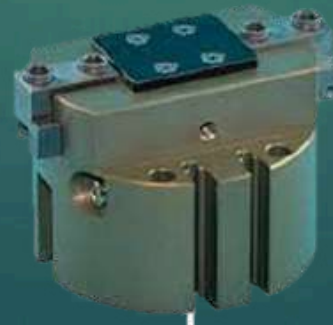




Angular Grippers

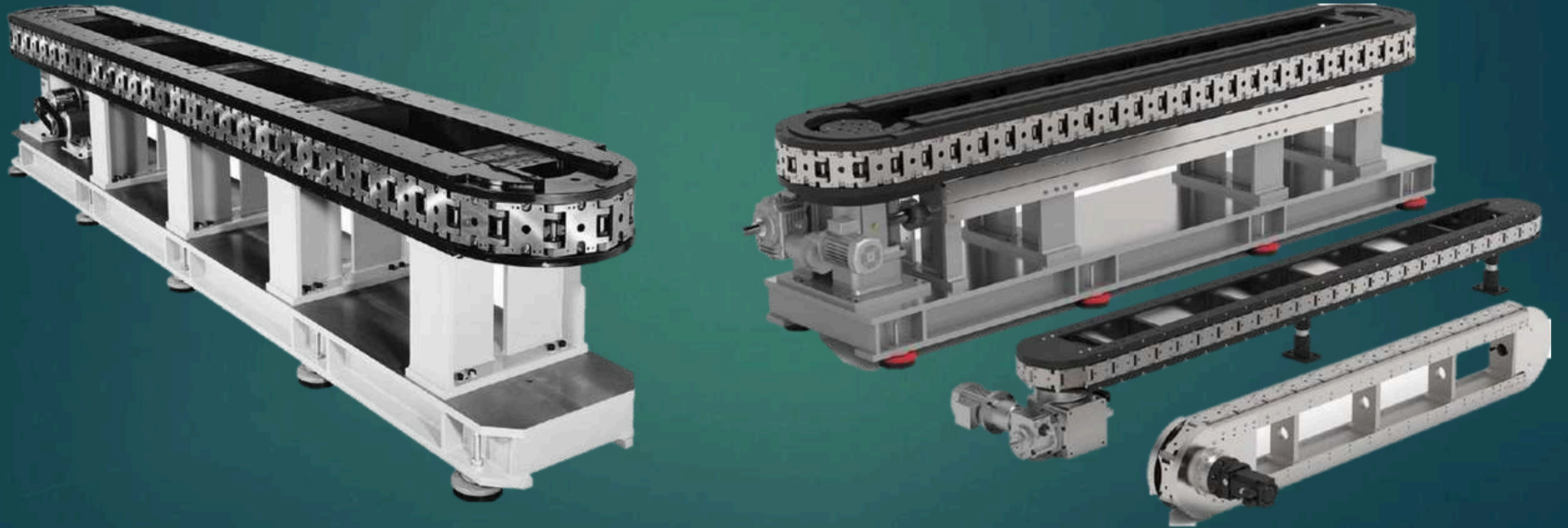


3 Jaw Grippers



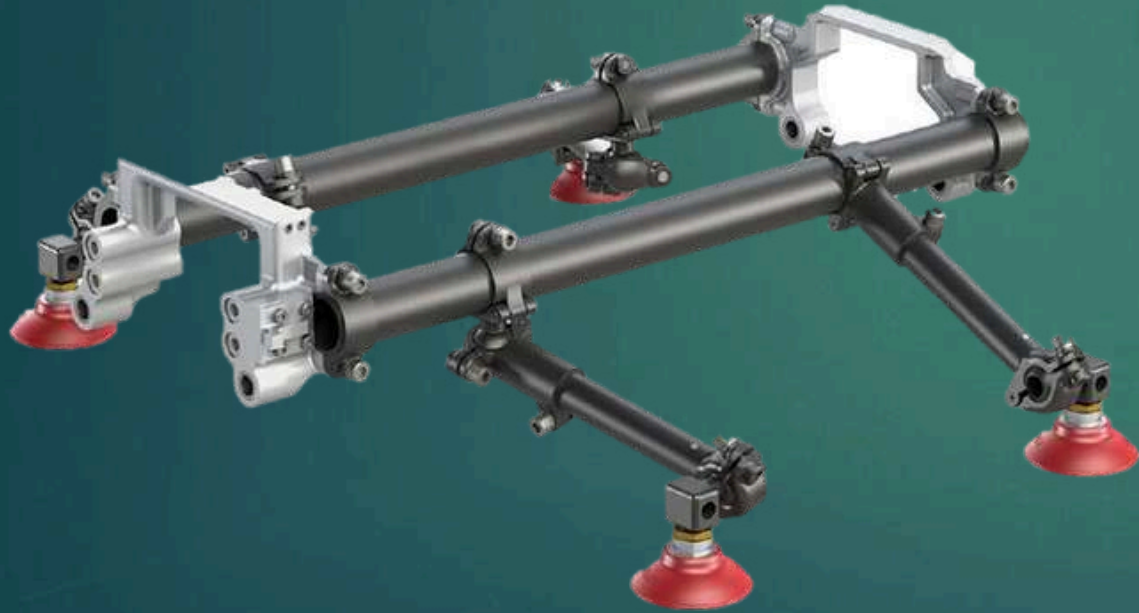


Precision Link Conveyors

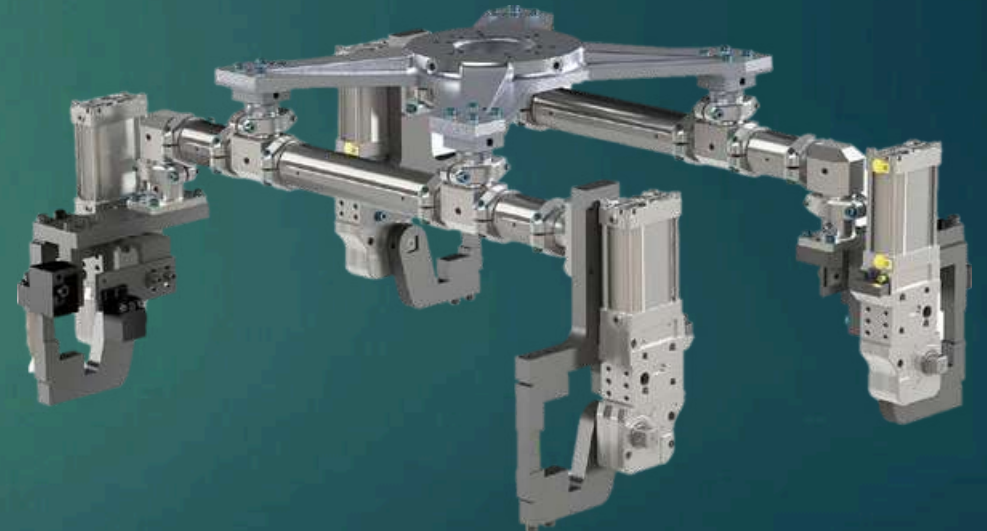




End Effectors - Vacuum



End Effectors - Grippers



Key Less Locking Elements

Application:
Key less Driving application.
Timing Pulley Assemblies.
Belt Transmission.
Chains Transmission.

Makes We Offer :

SIT Spa



Precision Lock Nuts - Yinsh



Couplings

Application:

Timing Pulley Assemblies.

Belt Transmission.

Servo Transmission.

Makes We Offer :

Sung il | SIT Spa | KTR



Linear Motion Components



Makes We Offer : KHS | HL

Self Lubricating Bushes



PTFE Bushes



LM Blocks & LM Rails

Application:

Assembly Line.

Inspection System.

Dispensing System.

Pick and Place System.

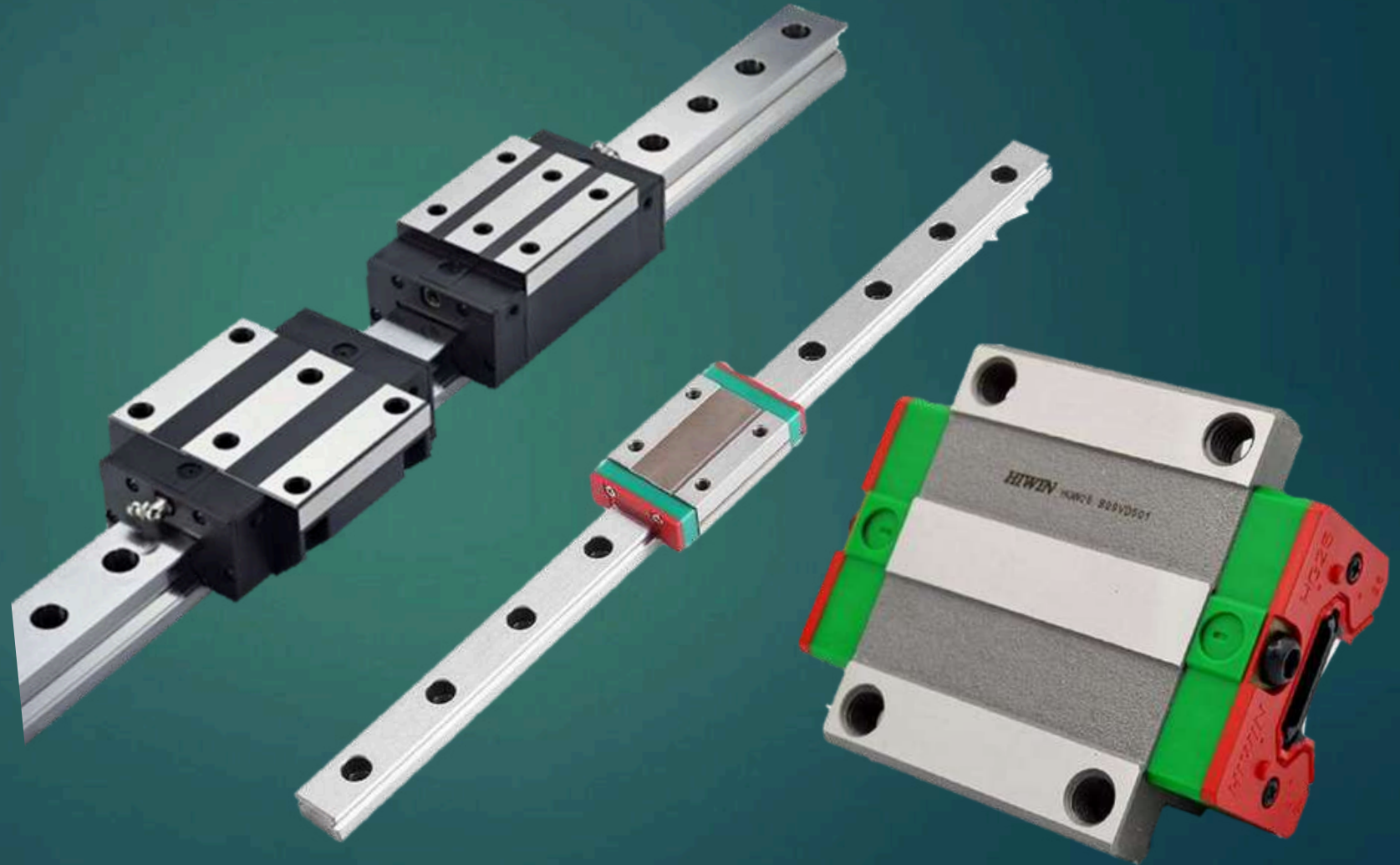
Machine Tool.

Industrial Automation

Systems.

Makes We offer:

Hiwin | PMI



High Precision Ball Screws



High Precision Ground Ball Screws.

Rolled Ball Screw.

Application:

Assembly Line.

Inspection System.

Dispensing System.

Pick and Place System.

Machine Tool.

Industrial Automation Systems.

Makes We offer:

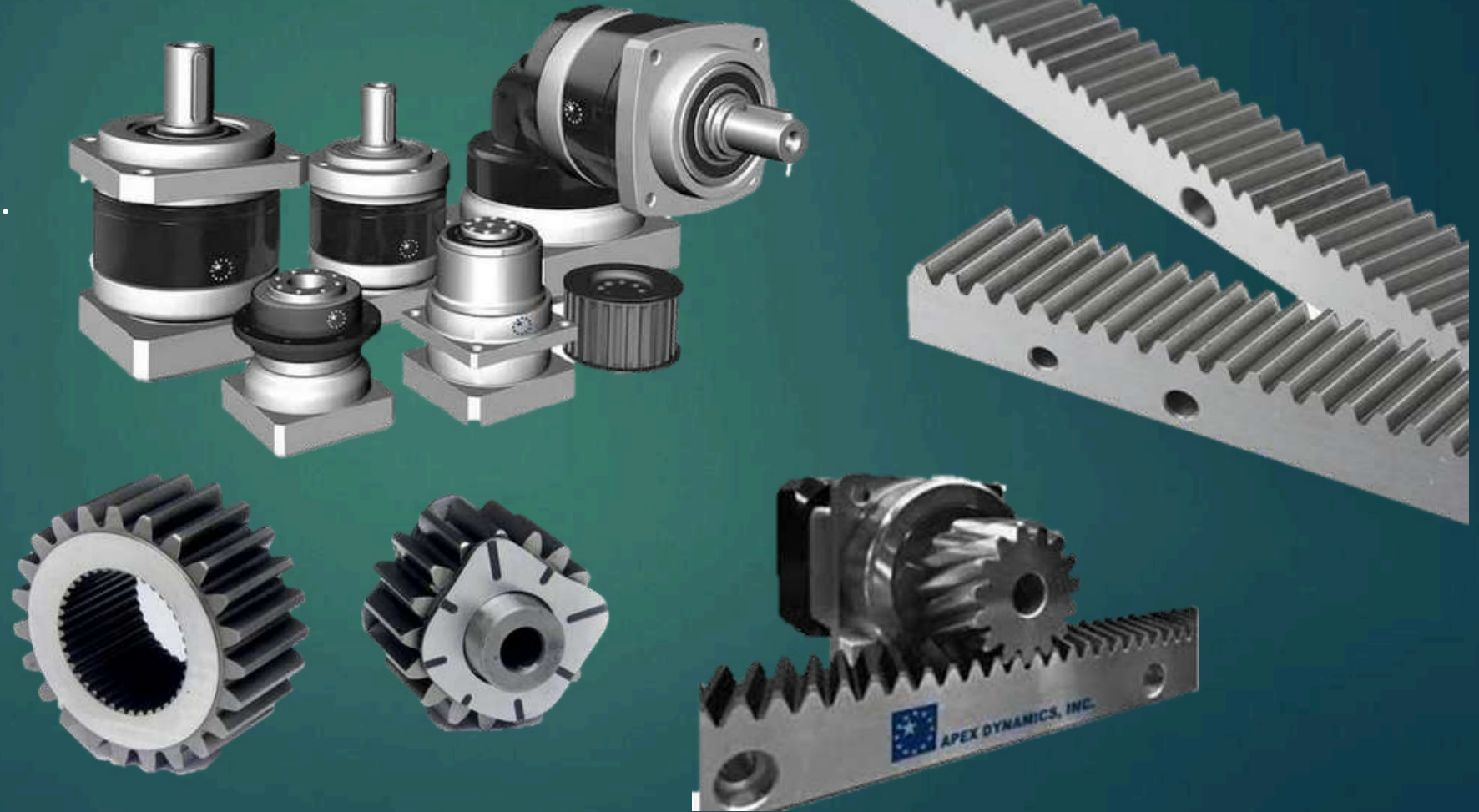
Hiwin | PMI



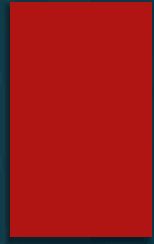
Rack & Pinion

Rack & Pinion.
Planetary Gear Box.

Application:
Gantry Line Automation.
Assembly Line.
Inspection System.
Pick and Place System.
Machine Tool.
Industrial Automation
Systems.



Single Axis Robots



Single Axis Robots:

Application:

Assembly Line.

Inspection System.

Dispensing System.

Pick and Place System.

Machine Tool.

Industrial Automation Systems.

Makes We offer:

Hiwin | PMI



Electric Actuator

Application:

Electronics.

Robotics.

machine Tools.

Warehouse.

Material handling.

Makes We Offer :

Moteck



Dual Shaft Guide Ways

Applications:

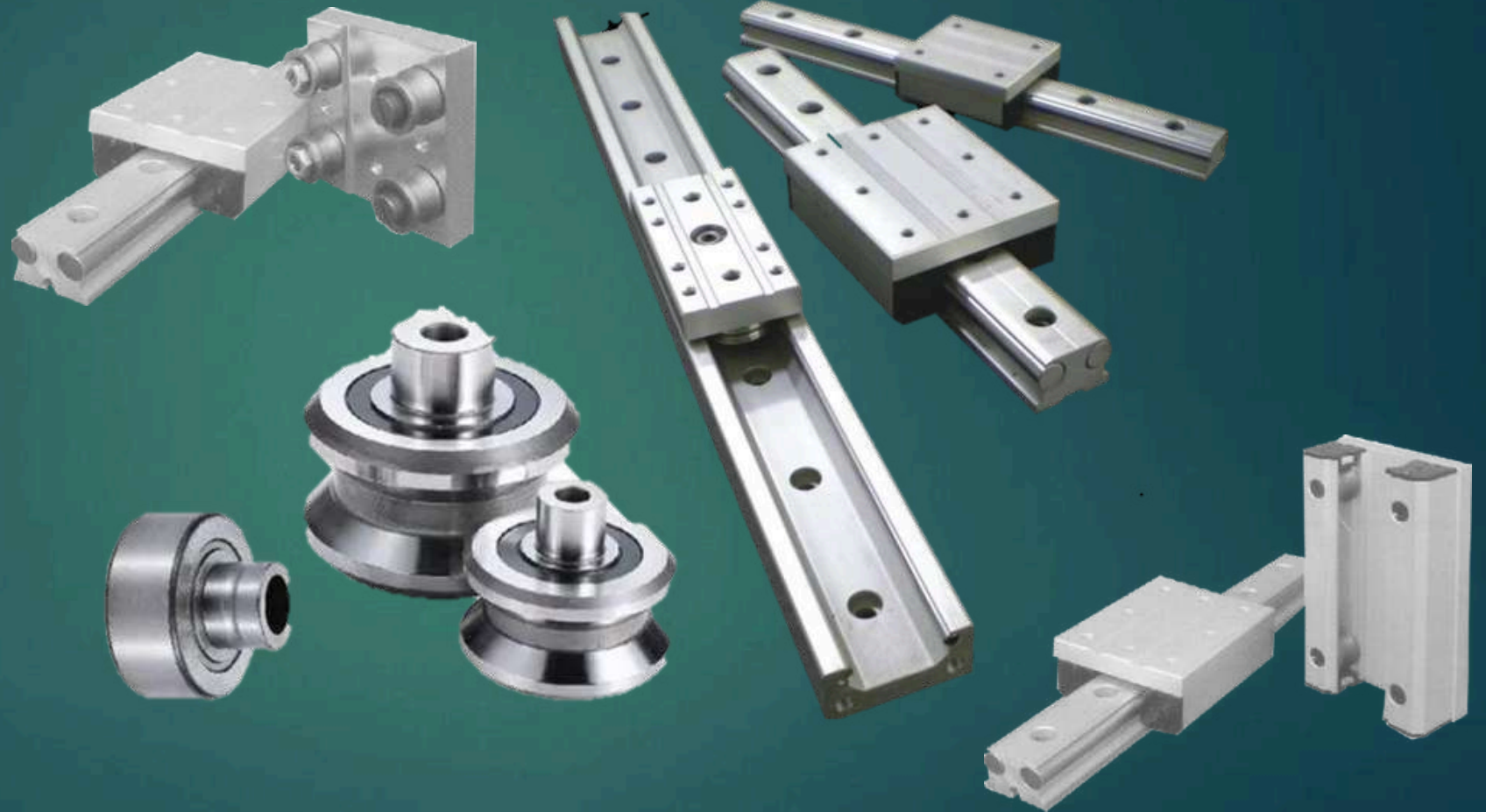
Assembly Line.

Inspection System.

Textile Machineries.

Pick and Place System.

Make We offer : KHK



Thank You

Our Office Locations



AL-FALFL
MACHINES & AUTOMATION'S



Unit #2, Al Thawn, Al Khobar-34632, KSA

yazeed bin malik st, Al Khalidiyah Ash
Shamaliyah, Dammam 32211, KSA

Rail Complex Center Showroom 21,
Aljamal area, Rehab street, Riyadh, KSA