



Website



AL-FALFL

MACHINES & AUTOMATION'S



AL FALFL Profile

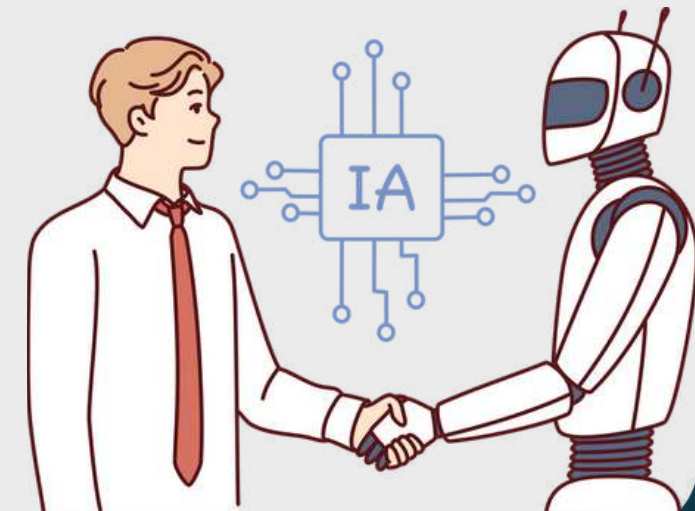
Name **AL FALFL Automation Partner**

Address **Unit #2, Al Thawn, Al Khobar-34632, KSA**

Tele fax **+966509843117, +966544023605**

Mail ID **asugpy@falfl.com**
office@falfl.com

URL **www.falfl.com**



About us:

Who We are: "AL FALFL System was established in 2015 and is a prominent and leading automation solution provider based in Saudi Arabia, Bahrain . We are specializing in the design function, including machine design and control design, and proficient in CAD platforms like AutoCAD and Crio.

We have expertise in handling various PLCs, such as Delta, Mitsubishi, and Siemens, and in operating robots from FANUC, ABB, and KUKA.

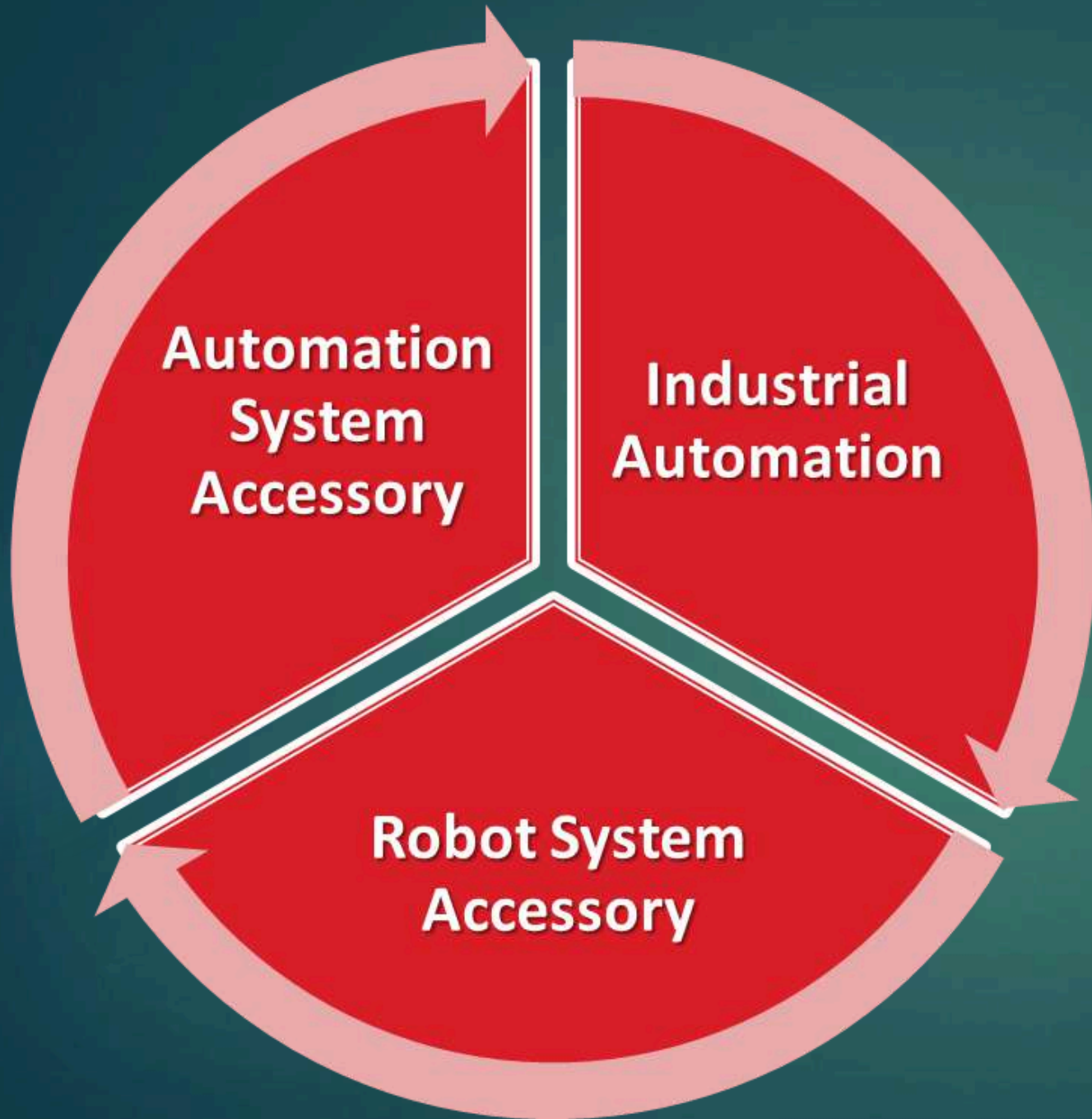
What we Offer:

AL FALFL industrial automation and robotics, as well as providing robot training. We offer a range of automation system accessories, including linear motion products, power transmission products, and indexer units, as well as robot system accessories like pneumatic grippers, tool changer units, linear track units, and end-of-arm tooling."

Why us:

We offer expert design services and industry-leading products to ensure your success. Also, We are authorized distributors and experienced solution providers for your automation needs.





AL FALFL
Synergy

USP for Manufacturing

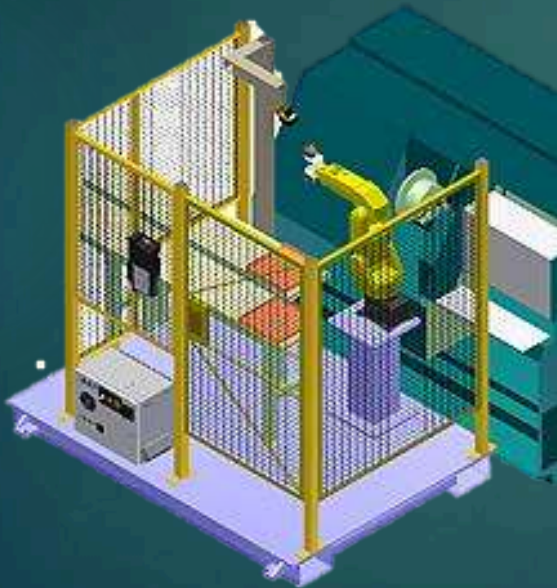
Today's Need

- High Volume, High Productivity & High-Efficiency Operations.
- Flexibility –Product –Mix & Volume Variety.
- Multi –Process Operation's requiring end –to end solution's.
- Cost Effective Automation Deployment.
- Competitiveness through Global Sourcing.
- Multi –Process Automation Integrating.
 - ❖ Machine Tending.
 - ❖ Welding.
 - ❖ Material Handling.
 - ❖ Gantry System.

 - ❖ Floor Conveyor System.
 - ❖ End of Arm Tooling.
 - ❖ Ergonomic System.
- Global Operation & Standardization across Manufacturing Plants.

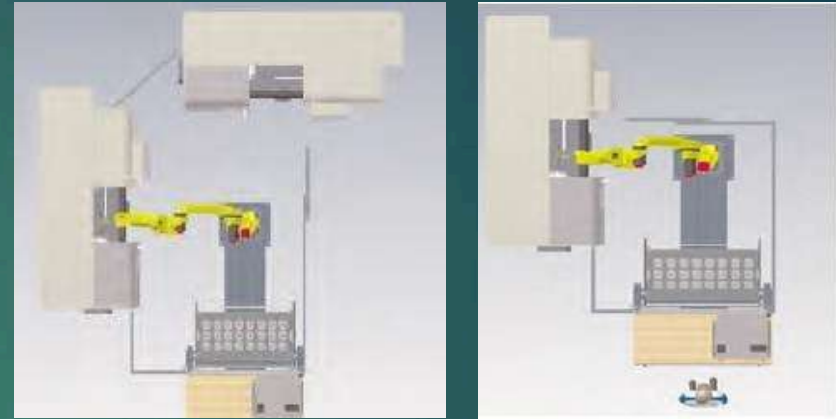
ALFALFL Application Expertise

- Machine Tending
- Welding
- Press Tending
- Plastic Molding
- Palletizing
- Material Handling
- Gantry System
- End of Arm Tooling
- Floor Conveyor
- Ergonomic System



Machine Tending Solutions

- Robotic Machine Tending System provides an automated method for loading into and out of virtually any machine tool.
- System incorporates the latest robotic technology, allowing the operator to load the system and walk away while parts are being processed automatically.



Benefits:

- Increased Flexibility from Fixed Automation.
- Minimized Errors through Robotic Vision.
- Maximized Throughput through High Speed & Performance.
- Increased System Uptime.



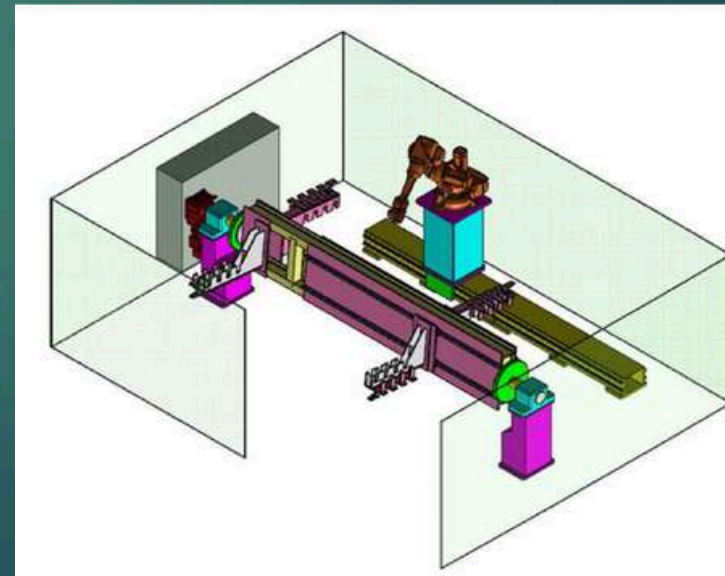
Welding Solution

Robotic Arc Welding Cells

Special Purpose Welding Cells

Turnkey Solutions

ALFALFL has the capabilities and capacity to build robotic welding cells. We will deliver a world-class solution to suit your needs, whether auto-components, process, heavy components, or any other equipment.



Palletizing Solutions

Stacking / De Stacking Solutions

Packing Solutions

Special Purpose Gantry System

Sack Handling

ALFALFL provides expert solutions with customized end effectors for handling components from various sizes and weights against labour and ergonomic handling issues.



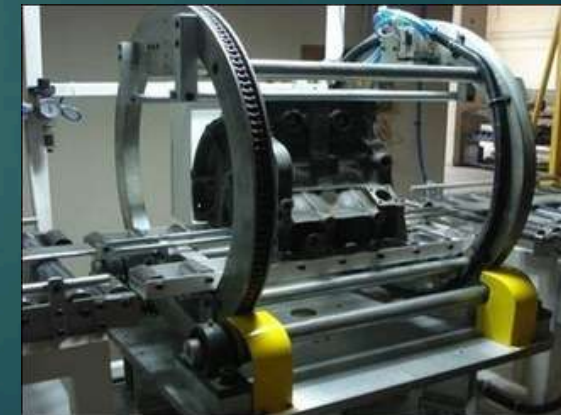
Material Handling Solutions

Powerized Roller Conveyor

Belt Conveyor

Slat Conveyor

Turn Over Device



ALFALFL offers material handling solutions for assembly lines and part transfer, from high-speed Pallet conveyors to large conveyors, ALFALFL simplistic design reduces the cost of automation investments.

End of Arm Tooling



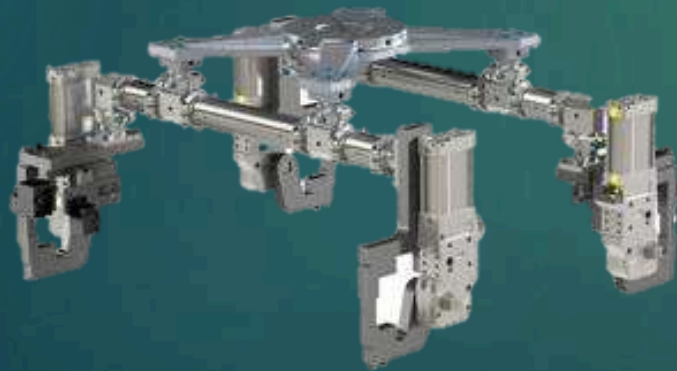
Bag Handling
Gripper



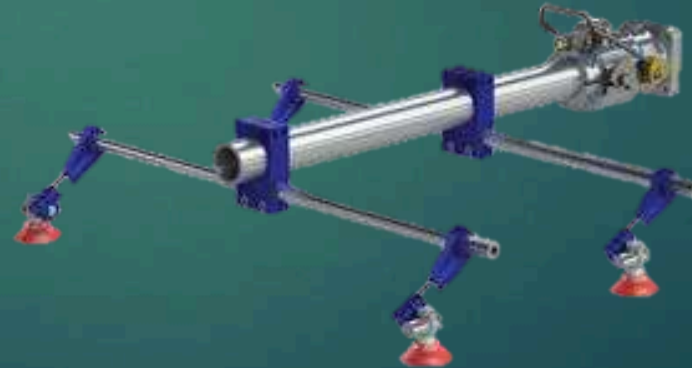
EOT for Plastic
Com ponents



EOT for Sheet Metal
Com ponents



Spidergrip
End Effectors



Round Tooling
End Effectors

Our Valuable Customers

- Ashok Leyland
- ABI-Showatech India Ltd
- Big Bottling Company –Nigeria
- Delphi –TVS Technologies Ltd
- Dover India
- MannaiTechnical Services –Bahrain
- Industrial Del Recambio
- KK Nag
- Sritech Engineering
- Sundaram Fasteners Ltd
- Thai Summit Autoparts India Pvt. Ltd
- Wheels India Ltd

Thank You

Our Office Locations



AL-FALFL
MACHINES & AUTOMATION'S



Unit #2, Al Thawn, Al Khobar-34632, KSA



yazeed bin malik st, Al Khalidiyah Ash
Shamaliyah, Dammam 32211, KSA



Rail Complex Center Showroom 21,
Aljamal area, Rehab street, Riyadh, KSA